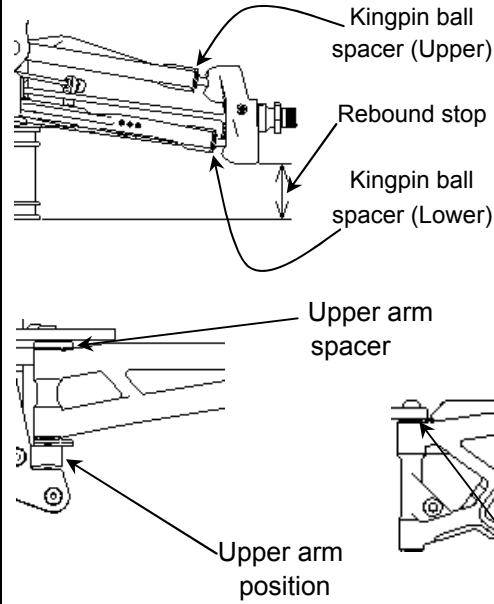


Name: _____
Date: _____
Track: _____

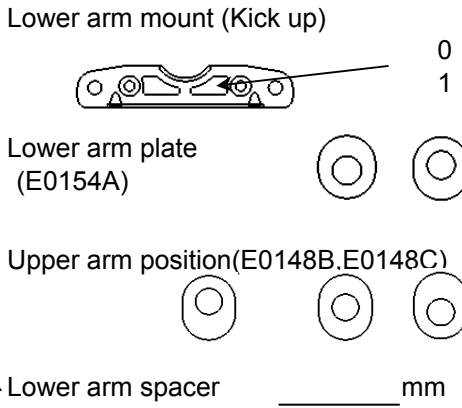
Track Conditions

Size:	Open	Med.	Tight
Traction:	High	Med.	Low
Surface:	Smooth	Med.	Bumpy

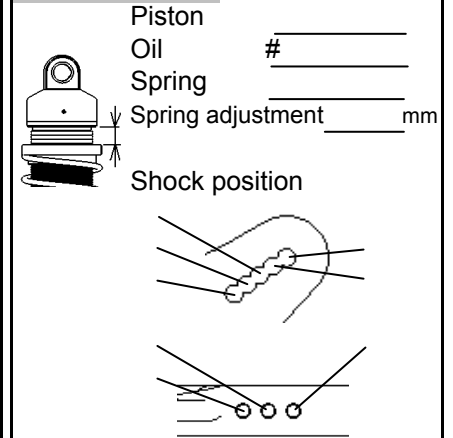
Front Suspension



Kingpin ball spacer (Upper) _____ mm
 Kingpin ball spacer (Lower) _____ mm
 Upper arm spacer _____ mm
 Toe angle _____ °
 Rebound stop _____ mm
 Anti-roll bar φ _____ mm



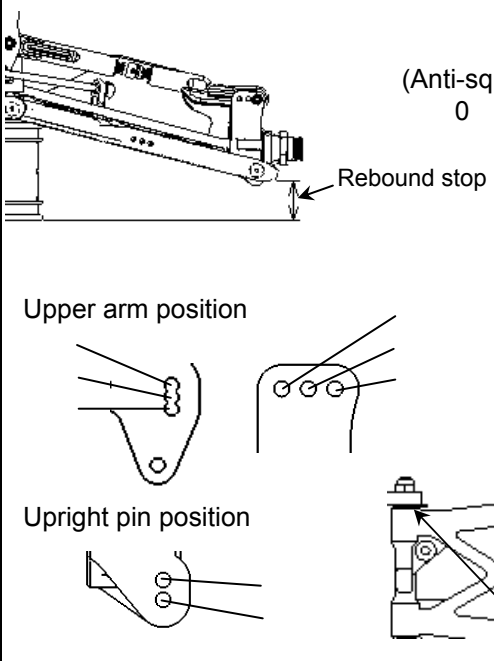
Front Shocks



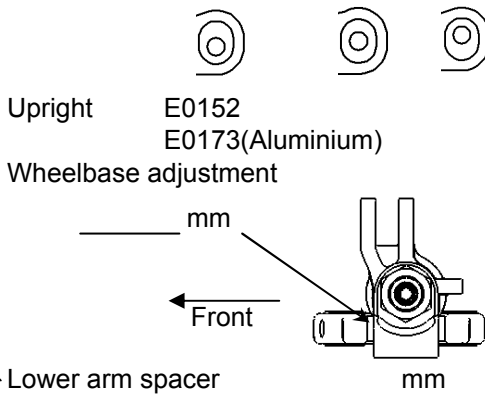
Steering Ackerman



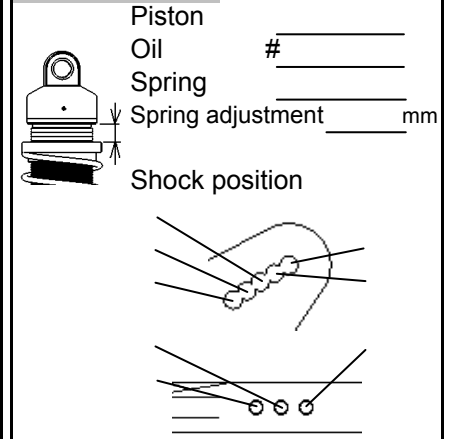
Rear Suspension



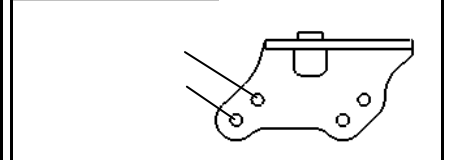
Camber angle _____ °
 Lower arm mount _____
 (Anti-squat) 0 1
 (Toe angle) _____ °
 Rebound stop _____ mm
 Anti-roll bar φ _____ mm
 Anti-squat (E0111C, E0111D) _____



Rear Shocks



Wing Position



Engine Type _____
 Gasket _____ mm Reducer φ _____
 Plug _____ Fuel _____
 Muffler _____

Diff. Oil

Front	# _____	O-Ring	_____ pcs.	Other	_____
Center	# _____		_____ pcs.	Other	_____
Rear	# _____		_____ pcs.	Other	_____

Tire

Front	Rear
Type _____	Type _____
Foam _____	Foam _____

Clutch

Clutch shoes Aluminium _____
 Other _____
 Spring _____ mm
 Clutch bell / Spur gear _____ /

Result

Race time / Lap _____
 Best lap (1Lap) _____

Comments:

.....

