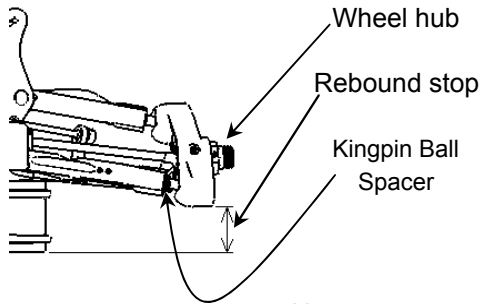


Name: _____
Date: _____
Track: _____

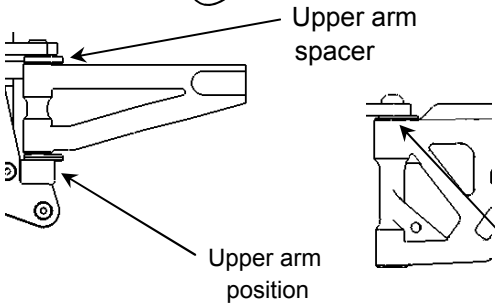
Track Conditions

| | | | |
|-----------|--------|------|-------|
| Size: | Open | Med. | Tight |
| Traction: | High | Med. | Low |
| Surface: | Smooth | Med. | Bumpy |

Front Suspension



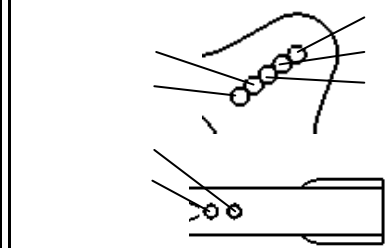
- Kingpin ball spacer _____ mm
- Camber angle _____ °
- Upper arm spacer _____ mm
- Toe angle _____ °
- Rebound stop _____ mm
- Anti-roll bar φ _____ mm
- Wheel Hub _____ mm
- Lower arm mount (Kick up) _____



- Lower arm plate (E0154A)
- Upper arm position(E0148B,E0148C)
- Lower arm spacer _____ mm

Front Shocks

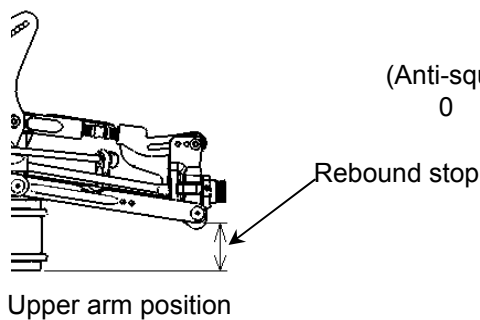
- Piston _____
- Oil # _____
- Spring _____
- Spring adjustment _____ mm
- Shock position



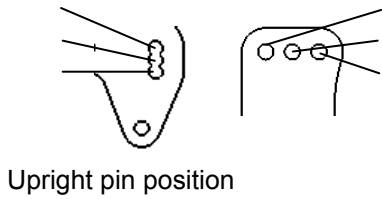
Steering Ackerman



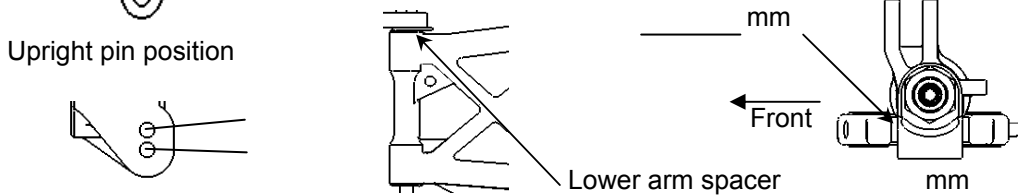
Rear Suspension



- Camber angle _____ °
- Lower arm mount _____
- (Anti-squat) 0 1
- (Toe angle) _____ °
- Rebound stop _____ mm
- Anti-roll bar φ _____ mm
- Anti-squat (E0111C,E0111D)

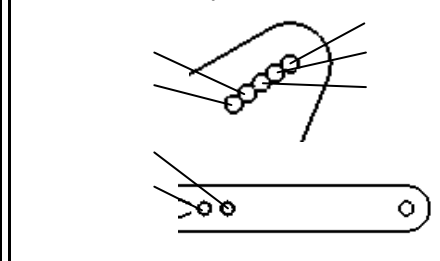


- Upright E0152
- E0173(Aluminium)
- Wheelbase adjustment _____ mm

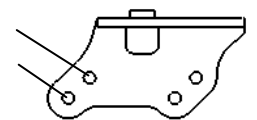


Rear Shocks

- Piston _____
- Oil # _____
- Spring _____
- Spring adjustment _____ mm
- Shock position



Wing Position



Engine Type _____
 Gasket _____ mm Reducer φ _____
 Plug _____ Fuel _____
 Muffler _____

Diff. Oil
 Front # _____ O-Ring _____ pcs. Other _____
 Center # _____ _____ pcs. Other _____
 Rear # _____ _____ pcs. Other _____

Tire

| Front | Rear |
|------------|------------|
| Type _____ | Type _____ |
| Foam _____ | Foam _____ |

Clutch Clutch shoes Aluminium _____
 Other _____
 Spring _____ mm
 Clutch bell / Spur gear **T / T**

Result
 Race time / Lap _____
 Best lap (1Lap) _____

Comments:

