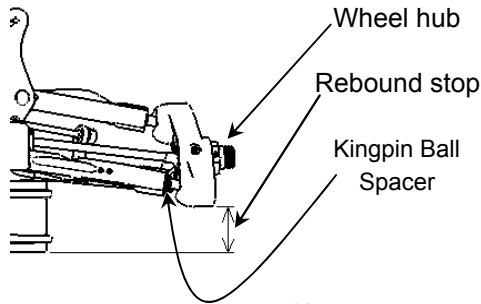


Name: _____
Date: _____
Track: _____

Track Conditions

Size:	Open	Med.	Tight
Traction:	High	Med.	Low
Surface:	Smooth	Med.	Bumpy

Front Suspension



Kingpin ball spacer _____ mm
 Camber angle _____ °
 Upper arm spacer _____ mm
 Toe angle _____ °
 Rebound stop _____ mm
 Anti-roll bar φ _____ mm
 Wheel Hub _____ mm
 Lower arm mount (Kick up) _____

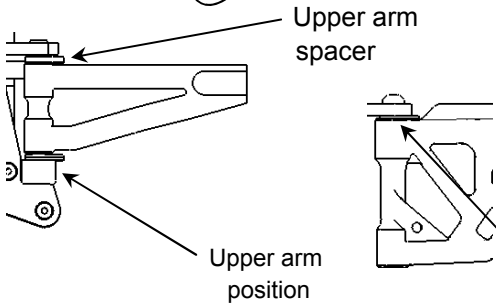


Lower arm plate (E0154A)

Upper arm position (E0148B, E0148C)

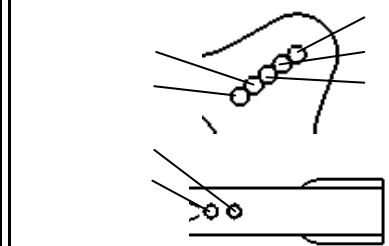


Lower arm spacer _____ mm



Front Shocks

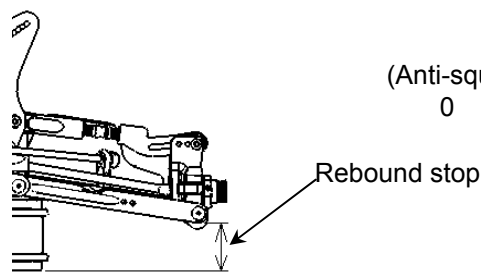
Piston _____
 Oil # _____
 Spring _____
 Spring adjustment _____ mm
 Shock position



Steering Ackerman



Rear Suspension

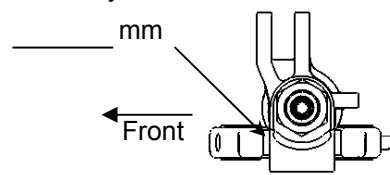


Camber angle _____ °
 Lower arm mount _____
 (Anti-squat) 0 1 (Toe angle) _____ °
 Rebound stop _____ mm
 Anti-roll bar φ _____ mm
 Anti-squat (E0111C, E0111D)

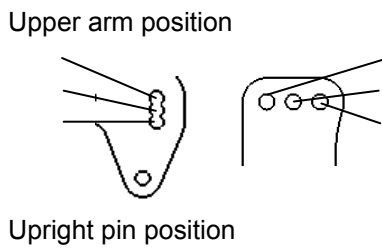


Upright E0152
 E0173 (Aluminium)

Wheelbase adjustment

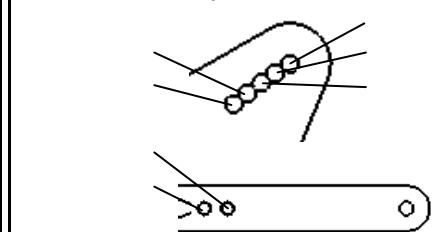


Lower arm spacer _____ mm

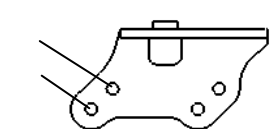


Rear Shocks

Piston _____
 Oil # _____
 Spring _____
 Spring adjustment _____ mm
 Shock position



Wing Position



Engine	Type		
Gasket	_____ mm	Reducer	φ _____
Plug	_____	Fuel	_____
Muffler	_____		

Diff. Oil			
Front	# _____	O-Ring	_____ pcs.
Center	# _____		_____ pcs.
Rear	# _____		_____ pcs.

Tire	Front	Rear
Type	_____	Type _____
Foam	_____	Foam _____

Clutch	Clutch shoes	Aluminium _____
		Other _____
	Spring _____ mm	
	Clutch bell / Spur gear	T / T

Result
Race time / Lap _____
Best lap (1Lap) _____

Comments:

.....

.....

.....

.....