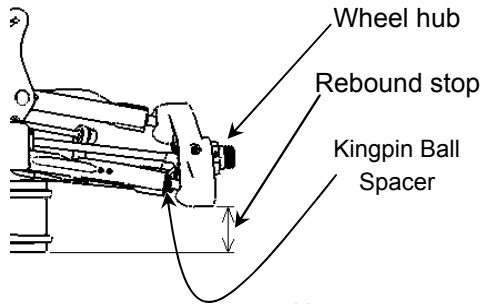


**Name:** \_\_\_\_\_  
**Date:** \_\_\_\_\_  
**Track:** \_\_\_\_\_

### Track Conditions

Size:	Open	Med.	Tight
Traction:	High	Med.	Low
Surface:	Smooth	Med.	Bumpy

### Front Suspension



Kingpin ball spacer \_\_\_\_\_ mm  
 Camber angle \_\_\_\_\_ °  
 Upper arm spacer \_\_\_\_\_ mm  
 Toe angle \_\_\_\_\_ °  
 Rebound stop \_\_\_\_\_ mm  
 Anti-roll bar φ \_\_\_\_\_ mm  
 Wheel Hub \_\_\_\_\_ mm  
 Lower arm mount (Kick up) \_\_\_\_\_ mm

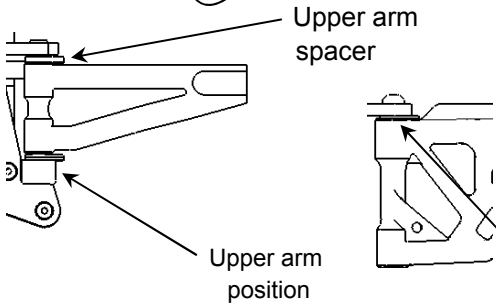


Lower arm plate (E0154A)

Upper arm position (E0148B, E0148C)

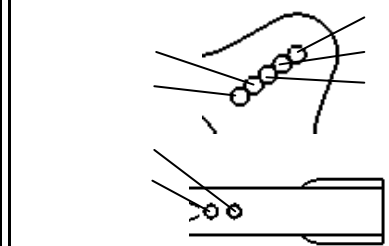


Lower arm spacer \_\_\_\_\_ mm



### Front Shocks

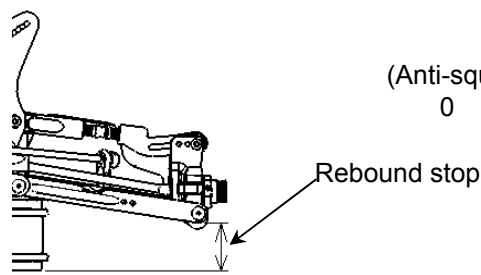
Piston \_\_\_\_\_  
 Oil # \_\_\_\_\_  
 Spring \_\_\_\_\_  
 Spring adjustment \_\_\_\_\_ mm  
 Shock position



### Steering Ackerman



### Rear Suspension

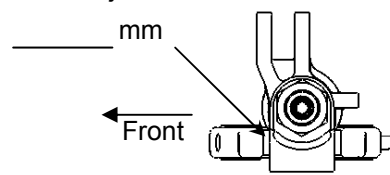


Camber angle \_\_\_\_\_ °  
 Lower arm mount \_\_\_\_\_ mm  
 (Anti-squat) 0 1  
 (Toe angle) \_\_\_\_\_ °  
 Rebound stop \_\_\_\_\_ mm  
 Anti-roll bar φ \_\_\_\_\_ mm  
 Anti-squat (E0111C, E0111D)

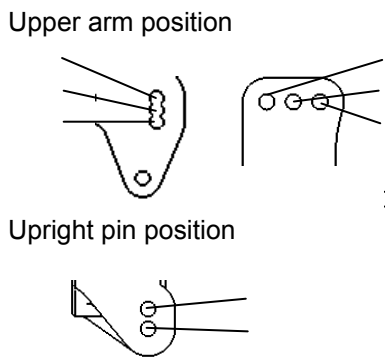


Upright E0152  
 E0173 (Aluminium)

Wheelbase adjustment

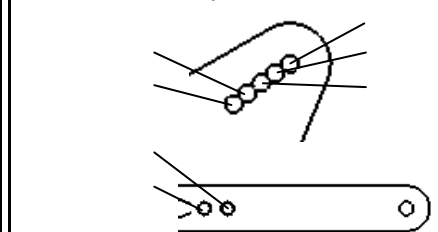


Lower arm spacer \_\_\_\_\_ mm

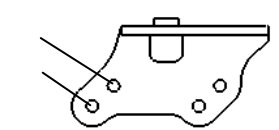


### Rear Shocks

Piston \_\_\_\_\_  
 Oil # \_\_\_\_\_  
 Spring \_\_\_\_\_  
 Spring adjustment \_\_\_\_\_ mm  
 Shock position



### Wing Position



Engine	Type		
Gasket	_____ mm	Reducer	φ _____
Plug	_____	Fuel	_____
Muffler	_____		

Diff. Oil			
Front	# _____	O-Ring	_____ pcs.
Center	# _____		_____ pcs.
Rear	# _____		_____ pcs.
		Other	_____

Tire	Front	Rear
Type	_____	Type _____
Foam	_____	Foam _____

Clutch	Clutch shoes	Aluminium _____
		Other _____
	Spring _____ mm	
	Clutch bell / Spur gear	T / T

Result
Race time / Lap _____
Best lap (1Lap) _____

**Comments:**

.....

.....

.....

.....