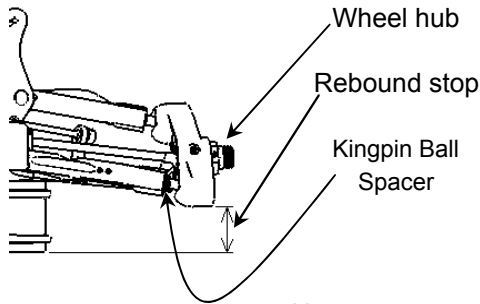


**Name:** \_\_\_\_\_  
**Date:** \_\_\_\_\_  
**Track:** \_\_\_\_\_

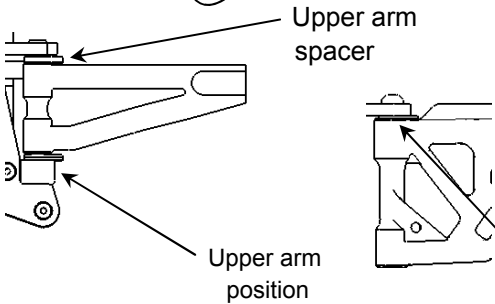
### Track Conditions

Size:	<input type="checkbox"/> Open	<input type="checkbox"/> Med.	<input type="checkbox"/> Tight
Traction:	<input type="checkbox"/> High	<input type="checkbox"/> Med.	<input type="checkbox"/> Low
Surface:	<input type="checkbox"/> Smooth	<input type="checkbox"/> Med.	<input type="checkbox"/> Bumpy

### Front Suspension



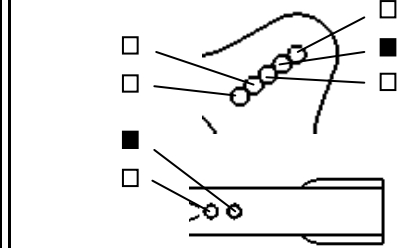
Kingpin ball spacer	<u>1</u> mm
Camber angle	<u>-2</u> °
Upper arm spacer	<u>2</u> mm
Toe angle	<u>out 1</u> °
Rebound stop	<u>12</u> mm
Anti-roll bar	φ <u>2.4</u> mm
Wheel Hub	<u>0</u> mm
Lower arm mount (Kick up)	<input type="checkbox"/> 0 <input checked="" type="checkbox"/> 1



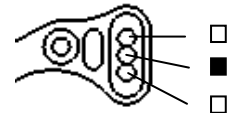
Lower arm plate (E0154A)	<input type="checkbox"/> <input checked="" type="checkbox"/>
Upper arm position (E0148B, E0148C)	<input type="checkbox"/> <input checked="" type="checkbox"/> <input type="checkbox"/>
Lower arm spacer	<u>0</u> mm

### Front Shocks

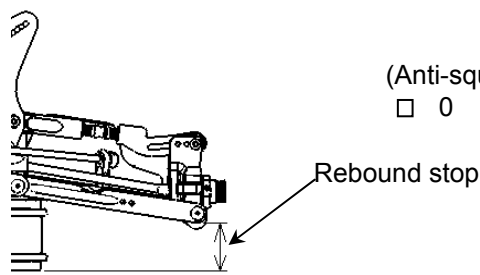
Piston	<u>Stock</u>
Oil #	<u>450</u>
Spring	<u>Stock</u>
Spring adjustmer	<u>5</u> mm



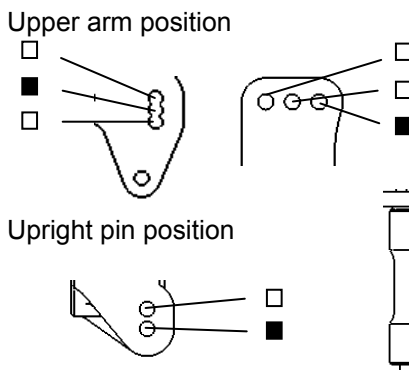
### Steering Ackerman



### Rear Suspension



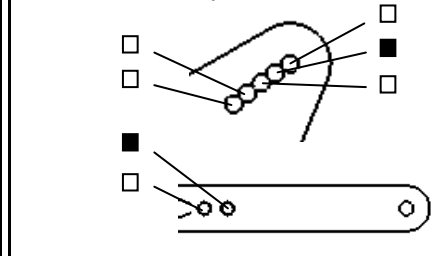
Camber angle	<u>-2.5</u> °
Lower arm mount	<input type="checkbox"/> 0 <input checked="" type="checkbox"/> 1
(Anti-squat) (Toe angle)	<u>3</u> °
Rebound stop	<u>14</u> mm
Anti-roll bar	φ <u>2.9</u> mm
Anti-squat (E0111C, E0111D)	<input type="checkbox"/> <input checked="" type="checkbox"/> <input type="checkbox"/>



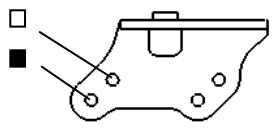
Upright	<input checked="" type="checkbox"/> E0152 <input type="checkbox"/> E0173 (Aluminium)
Wheelbase adjustment	<u>0</u> mm

### Rear Shocks

Piston	<u>Stock</u>
Oil #	<u>450</u>
Spring	<u>Stock</u>
Spring adjustmer	<u>7.5</u> mm



### Wing Position



<b>Engine</b> Type	_____
Gasket	_____ mm
Plug	_____
Muffler	_____
Reducer	φ _____
Fuel	_____

<b>Diff. Oil</b>	
Front #	<u>5000</u>
Center #	<u>5000</u>
Rear #	<u>2000</u>
O-Ring	<u>0</u> pcs. <input type="checkbox"/> Other _____
	<u>0</u> pcs. <input type="checkbox"/> Other _____
	<u>0</u> pcs. <input type="checkbox"/> Other _____

<b>Tire</b>	
<b>Front</b>	
Type	_____
Foam	_____
<b>Rear</b>	
Type	_____
Foam	_____

<b>Clutch</b>	
Clutch shoes	<input checked="" type="checkbox"/> Aluminium <u>Stock</u>
	<input type="checkbox"/> Other _____
Spur	<u>1.0</u> mm
Clutch bell / Spur gear	<u>13T / 46T</u>

<b>Result</b>	
Race time / Lap	_____
Best lap (1Lap)	_____

**Comments:**

.....

.....

.....

.....