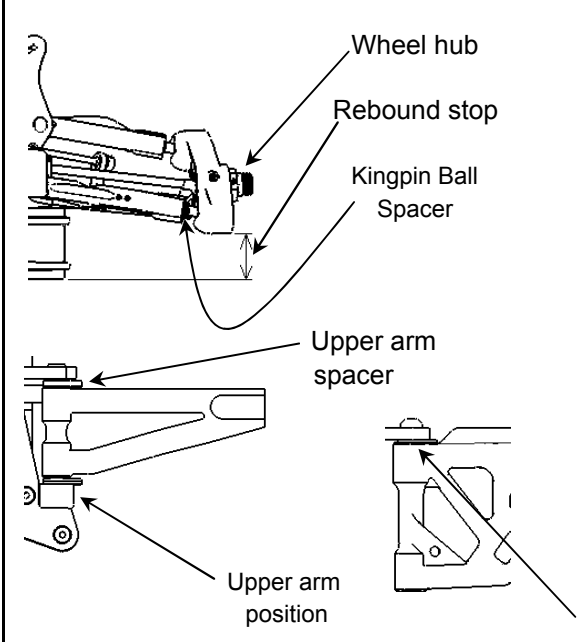


**Name:** \_\_\_\_\_  
**Date:** \_\_\_\_\_  
**Track:** \_\_\_\_\_

**Track Conditions**

Size:	<input type="checkbox"/> Open	<input type="checkbox"/> Med.	<input type="checkbox"/> Tight
Traction:	<input type="checkbox"/> High	<input type="checkbox"/> Med.	<input type="checkbox"/> Low
Surface:	<input type="checkbox"/> Smooth	<input type="checkbox"/> Med.	<input type="checkbox"/> Bumpy

### Front Suspension



Kingpin ball spacer \_\_\_\_\_ mm  
 Camber angle \_\_\_\_\_ °  
 Upper arm spacer \_\_\_\_\_ mm  
 Toe angle \_\_\_\_\_ °  
 Rebound stop \_\_\_\_\_ mm  
 Anti-roll bar  $\varphi$  \_\_\_\_\_ mm  
 Wheel Hub \_\_\_\_\_ mm  
 Lower arm mount (Kick up)  0  1  
 Lower arm plate (E0154A)    
 Upper arm position(E0148B,E0148C)     
 Lower arm spacer \_\_\_\_\_ mm

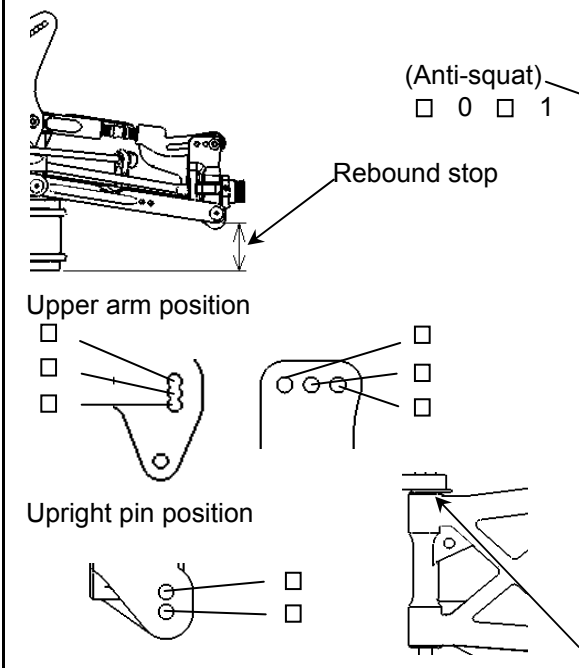
### Front Shocks

Piston \_\_\_\_\_  
 Oil # \_\_\_\_\_  
 Spring \_\_\_\_\_  
 Spring adjustment \_\_\_\_\_ mm  
 Shock position

### Steering Ackerman



### Rear Suspension

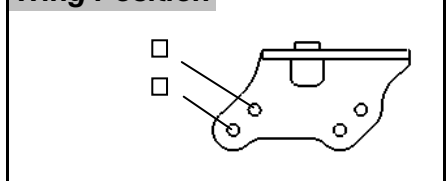


Camber angle \_\_\_\_\_ °  
 Lower arm mount \_\_\_\_\_ °  
 (Anti-squat)  0  1  
 (Toe angle) \_\_\_\_\_ °  
 Rebound stop \_\_\_\_\_ mm  
 Anti-roll bar  $\varphi$  \_\_\_\_\_ mm  
 Anti-squat (E0111C,E0111D)     
 Upright  E0152  E0173(Aluminium)  
 Wheelbase adjustment \_\_\_\_\_ mm  
 Lower arm spacer \_\_\_\_\_ mm

### Rear Shocks

Piston \_\_\_\_\_  
 Oil # \_\_\_\_\_  
 Spring \_\_\_\_\_  
 Spring adjustment \_\_\_\_\_ mm  
 Shock position

### Wing Position



**Engine**

Type	_____	Reducer	$\varphi$ _____
Gasket	_____ mm	Fuel	_____
Plug	_____		
Muffler	_____		

**Diff. Oil**

Front	# _____	O-Ring	_____ pcs. <input type="checkbox"/> Other _____
Center	# _____		_____ pcs. <input type="checkbox"/> Other _____
Rear	# _____		_____ pcs. <input type="checkbox"/> Other _____

**Tire**

<b>Front</b>	<b>Rear</b>
Type _____	Type _____
Foam _____	Foam _____

**Clutch**

Clutch shoes  Aluminium \_\_\_\_\_  
 Other \_\_\_\_\_  
 Spring \_\_\_\_\_ mm  
 Clutch bell / Spur gear **T / T**

**Result**

Race time / Lap \_\_\_\_\_  
 Best lap (1Lap) \_\_\_\_\_

**Comments:**

.....  
 .....  
 .....  
 .....