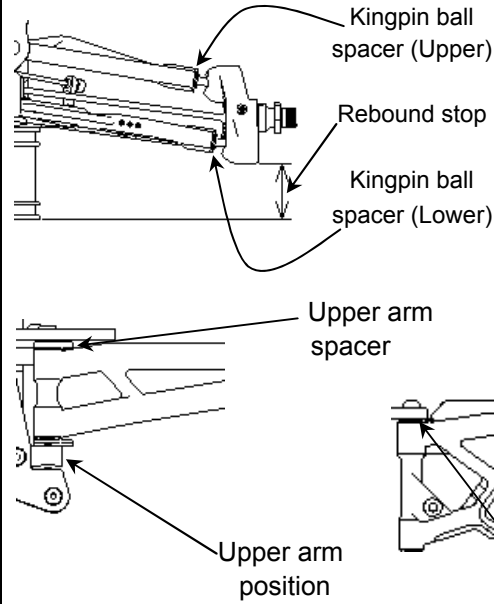


**Name:** \_\_\_\_\_  
**Date:** \_\_\_\_\_  
**Track:** \_\_\_\_\_

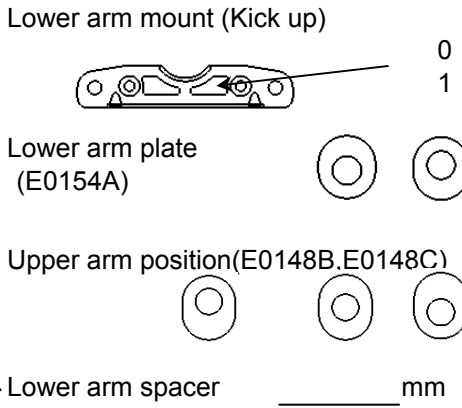
### Track Conditions

Size:	Open	Med.	Tight
Traction:	High	Med.	Low
Surface:	Smooth	Med.	Bumpy

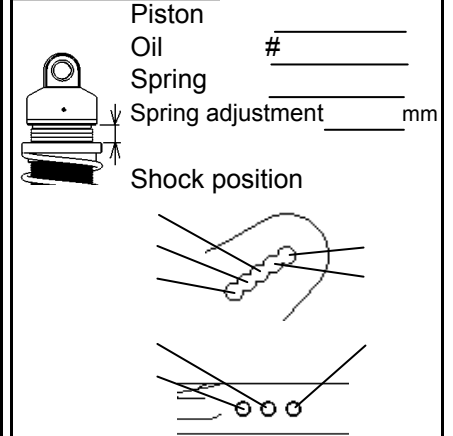
### Front Suspension



Kingpin ball spacer (Upper) \_\_\_\_\_ mm  
 Kingpin ball spacer (Lower) \_\_\_\_\_ mm  
 Upper arm spacer \_\_\_\_\_ mm  
 Toe angle \_\_\_\_\_ °  
 Rebound stop \_\_\_\_\_ mm  
 Anti-roll bar  $\varphi$  \_\_\_\_\_ mm



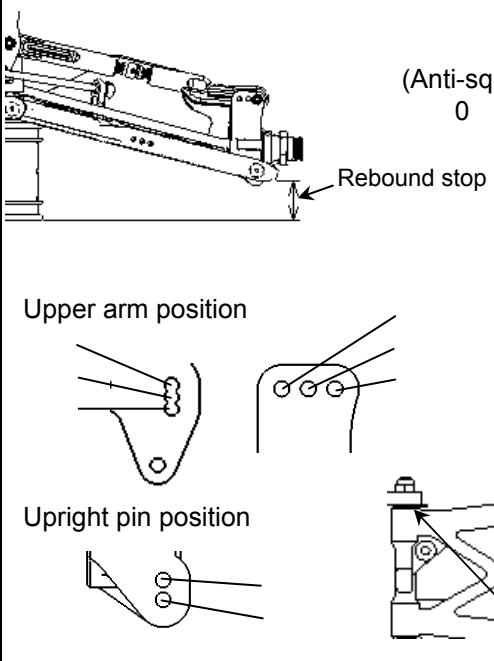
### Front Shocks



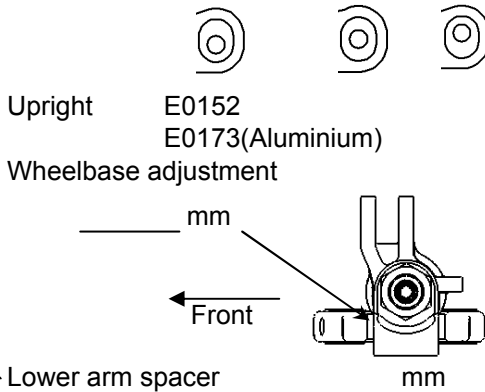
### Steering Ackerman



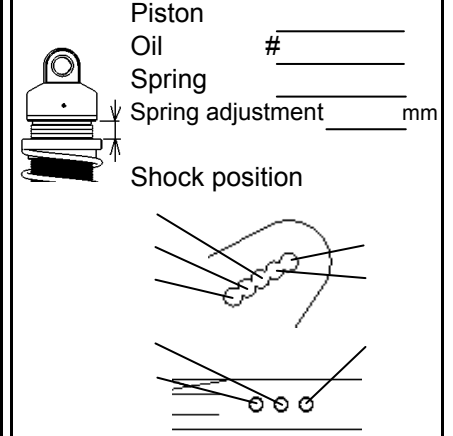
### Rear Suspension



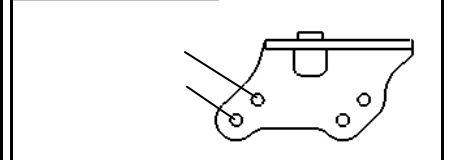
Camber angle \_\_\_\_\_ °  
 Lower arm mount \_\_\_\_\_  
 (Anti-squat) 0 1  
 (Toe angle) \_\_\_\_\_ °  
 Rebound stop \_\_\_\_\_ mm  
 Anti-roll bar  $\varphi$  \_\_\_\_\_ mm  
 Anti-squat (E0111C, E0111D) \_\_\_\_\_



### Rear Shocks



### Wing Position



**Engine** Type \_\_\_\_\_  
 Gasket \_\_\_\_\_ mm Reducer  $\varphi$  \_\_\_\_\_  
 Plug \_\_\_\_\_ Fuel \_\_\_\_\_  
 Muffler \_\_\_\_\_

**Diff. Oil**

Front	# _____	O-Ring _____ pcs.	Other _____
Center	# _____	_____ pcs.	Other _____
Rear	# _____	_____ pcs.	Other _____

**Tire**

<b>Front</b>	<b>Rear</b>
Type _____	Type _____
Foam _____	Foam _____

**Clutch**

Clutch shoes Aluminium \_\_\_\_\_  
 Other \_\_\_\_\_  
 Spring \_\_\_\_\_ mm  
 Clutch bell / Spur gear \_\_\_\_\_ /

**Result**

Race time / Lap \_\_\_\_\_  
 Best lap (1Lap) \_\_\_\_\_

**Comments:**

.....  
 .....  
 .....  
 .....